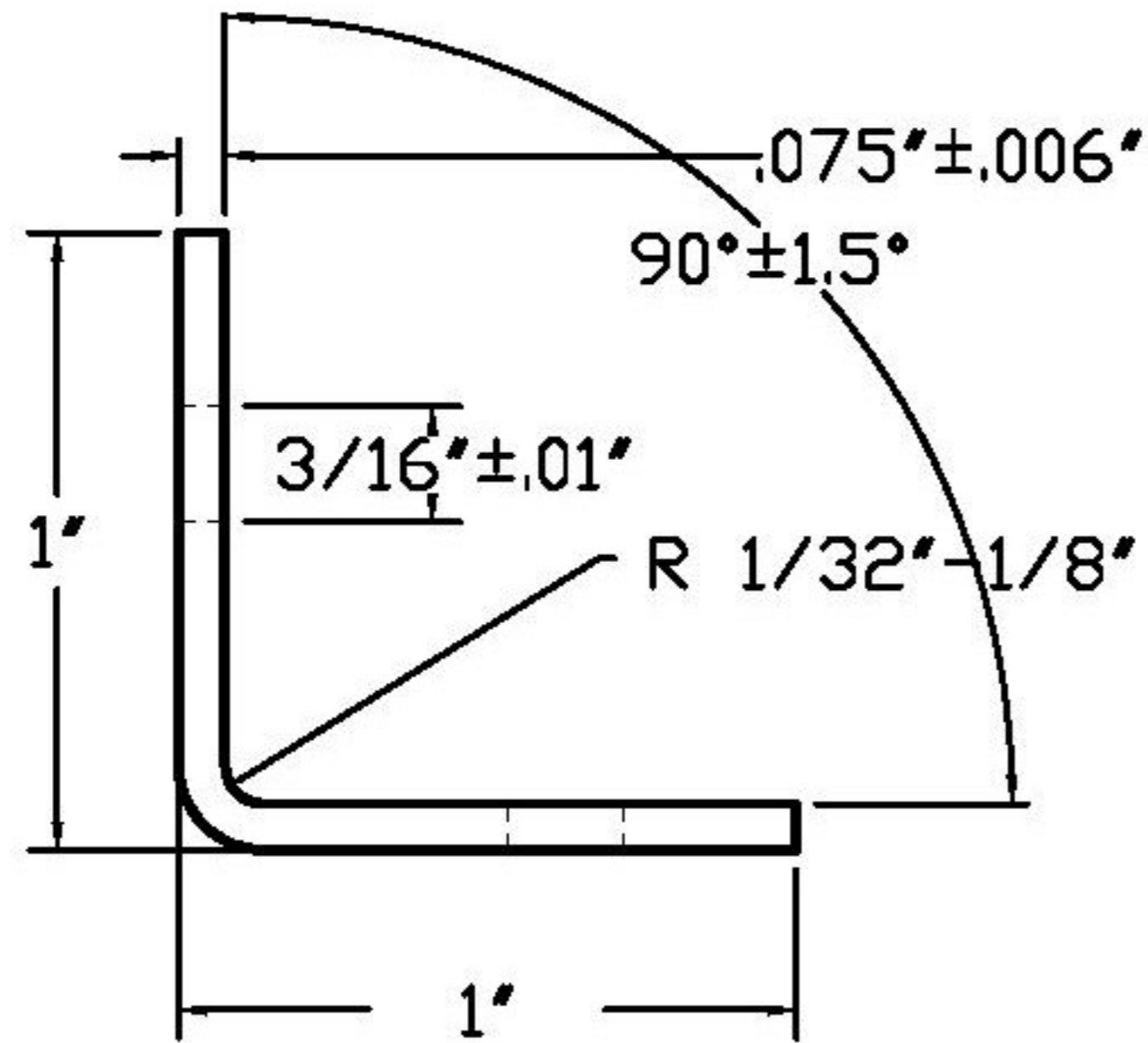
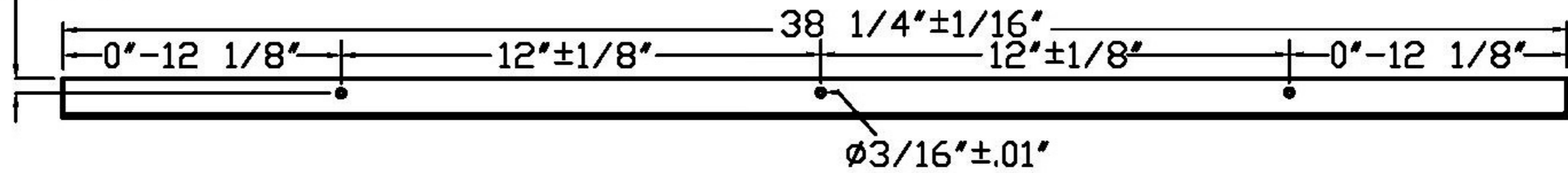


SCALE 4/1



$\frac{3}{8} \pm \frac{1}{64}$

SCALE 1/2



END MAY HAVE PARTIAL HOLES.
THREE TO FOUR SETS OF HOLES IN THE PARTS.