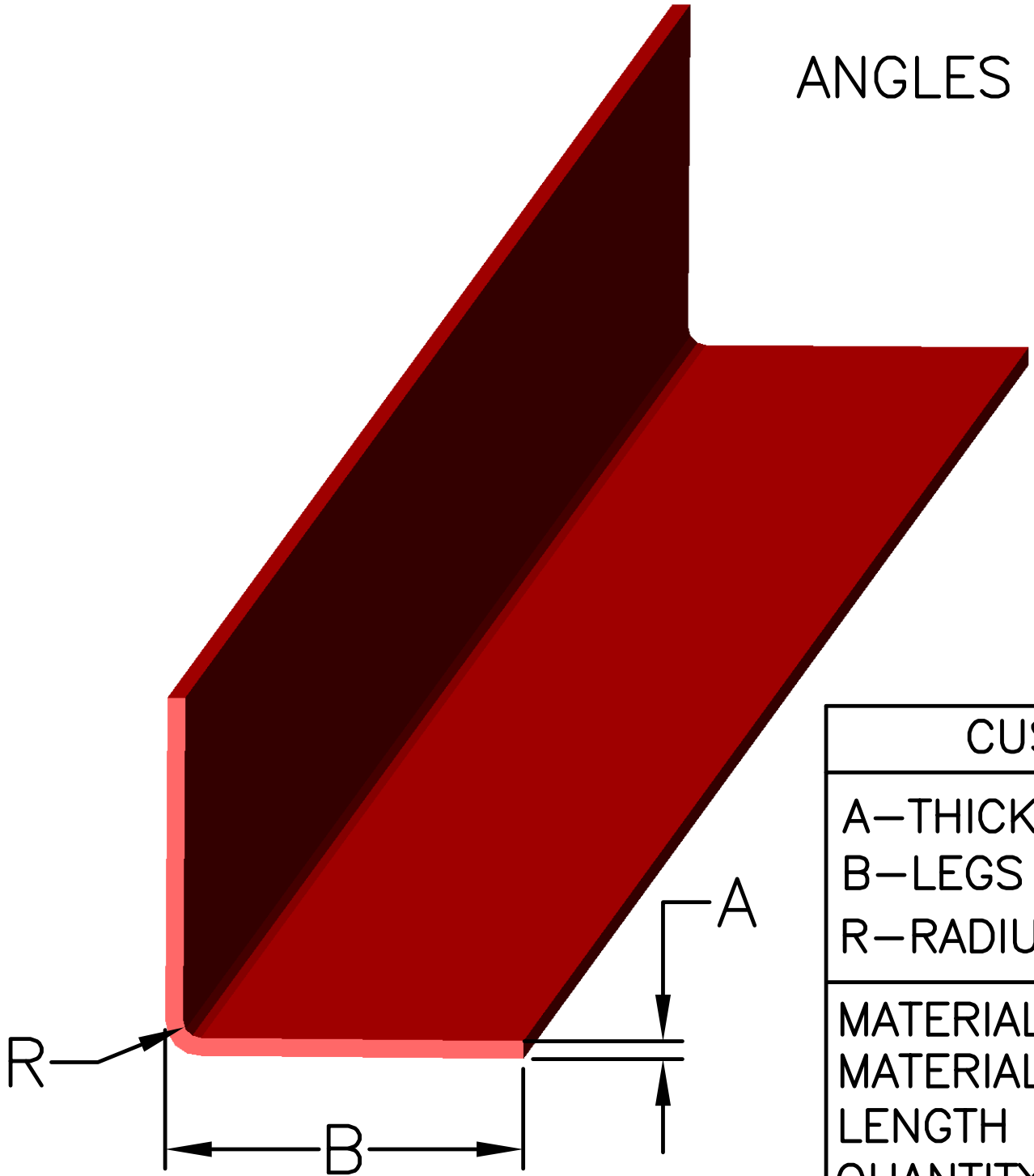


ANGLES (EQUAL LEG)



CUSTOM DIMENSIONS	
A-THICKNESS	_____
B-LEGS	_____ (O.D. OR I.D.)
R-RADIUS	_____ (INSIDE CORNER)
MATERIAL TYPE	_____
MATERIAL FINISH	_____
LENGTH	_____
QUANTITY	_____